

Figure 5-1 General Arrangement of Fuel Channel Assembly

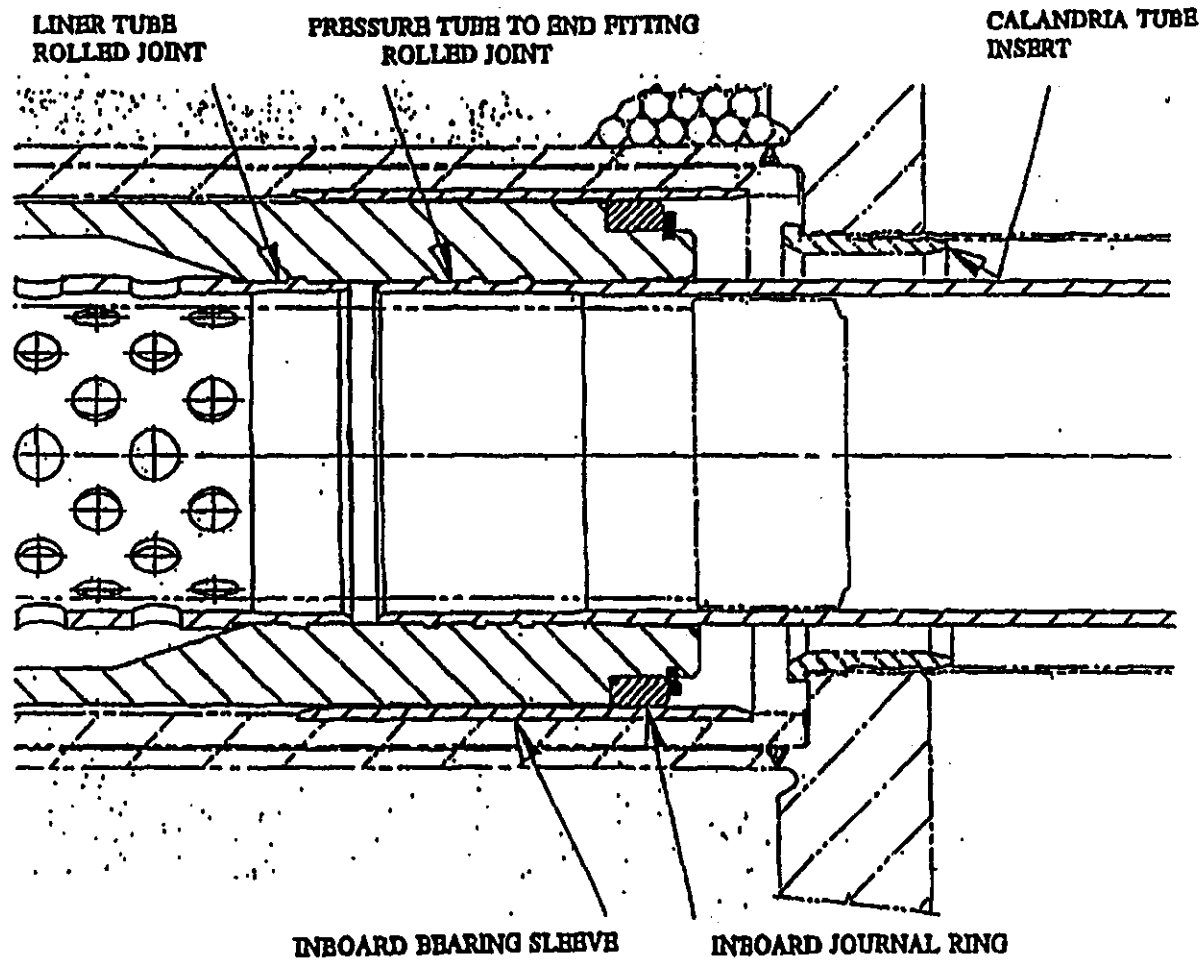


Figure 5-2 Pressure Tube-to-End Fitting Rolled Joint and Inboard Bearing

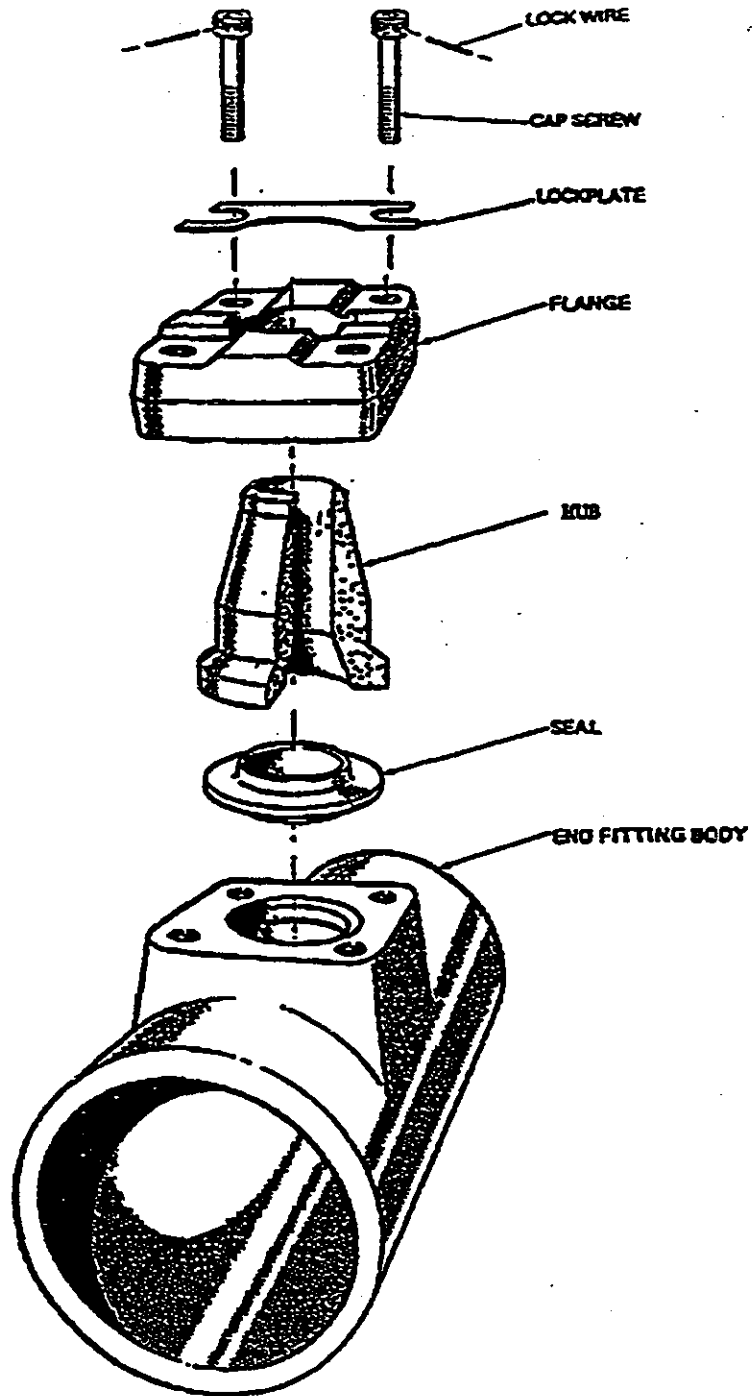


Figure 5-4 Feeder Connection

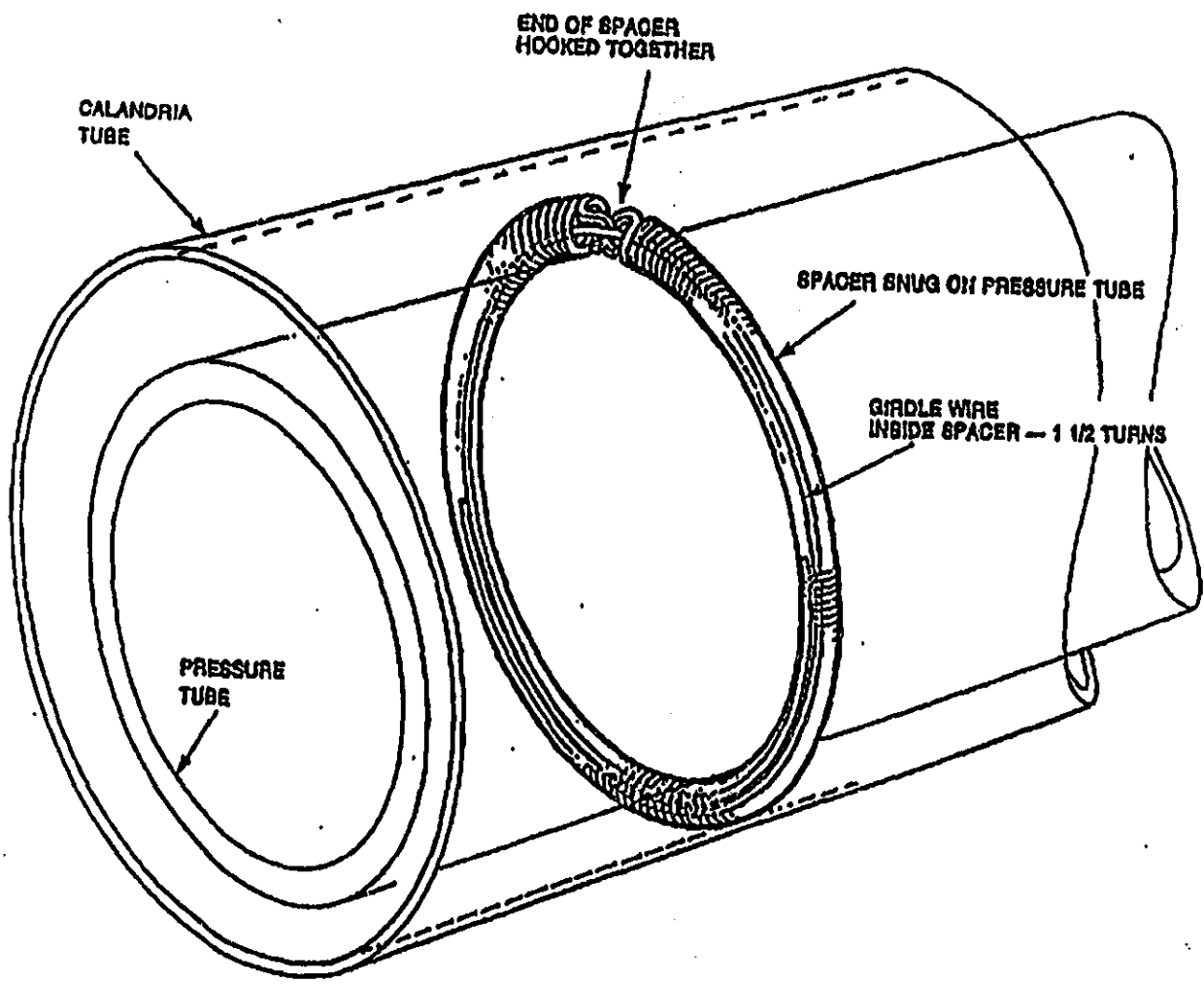


Figure 5-6 Channel Annulus Spacer

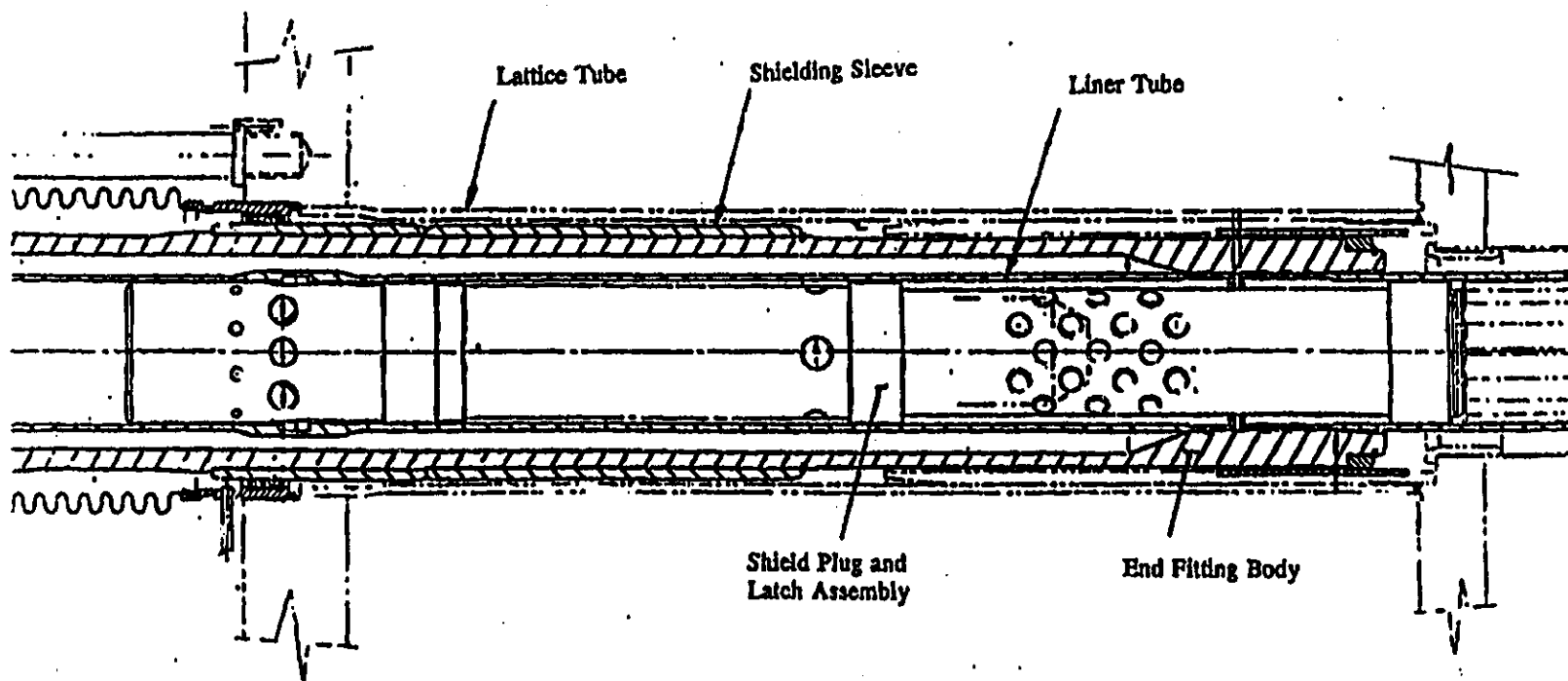


Figure 5-7 Shield Plug

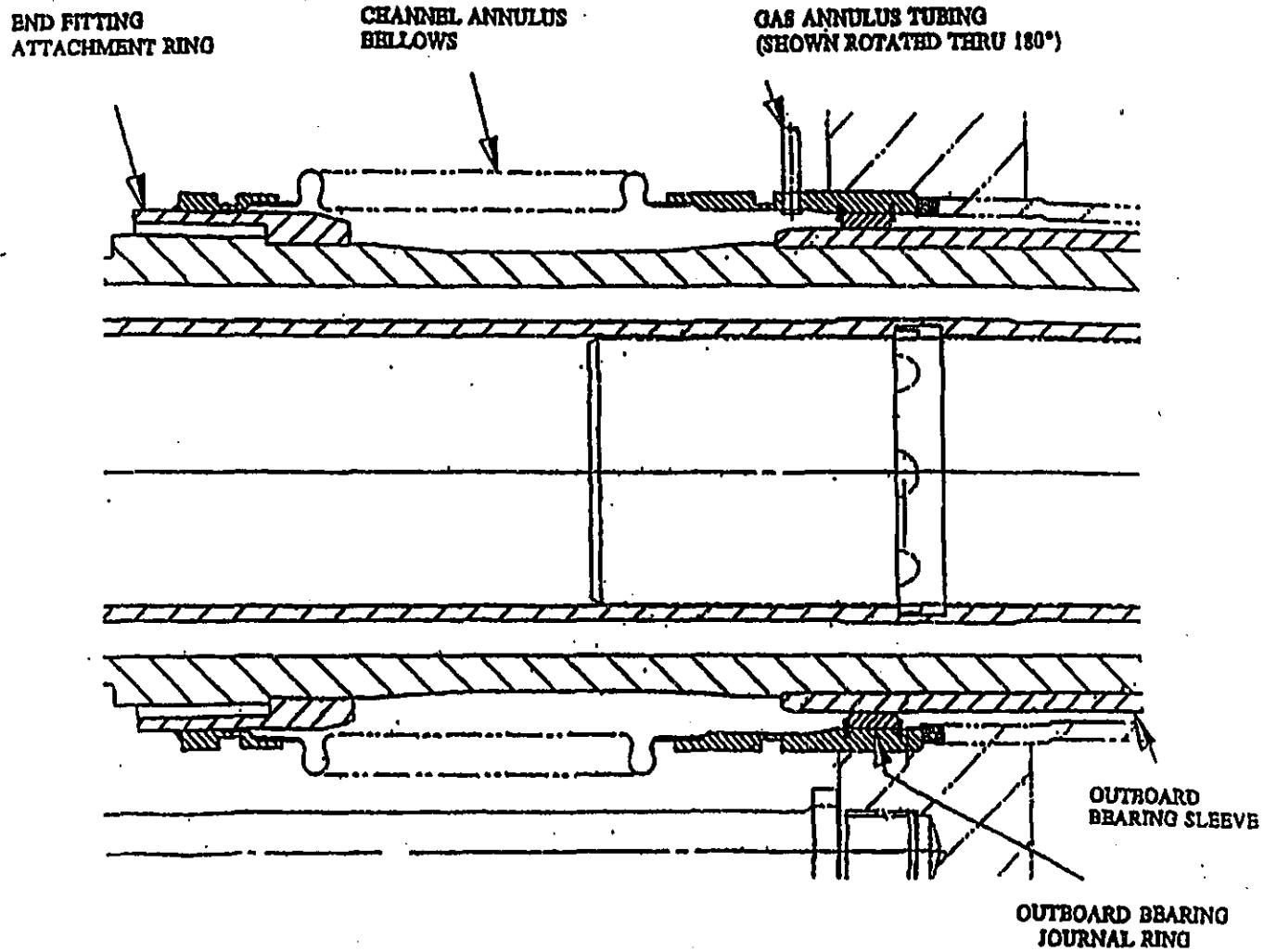


Figure 5-8 Bellows, Gas Annulus Fitting and Outboard Bearing

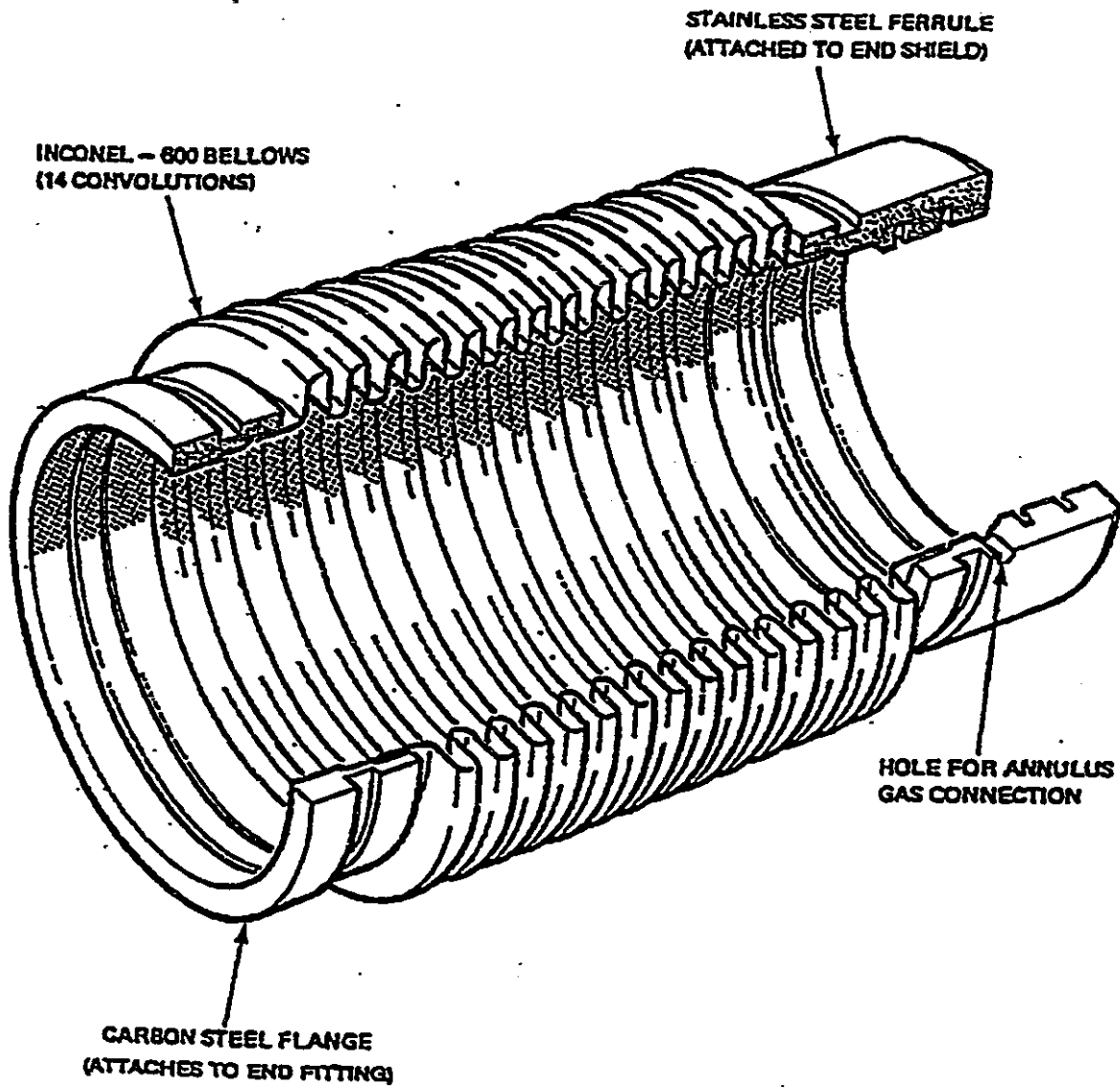


Figure 5-9 Bellows Construction

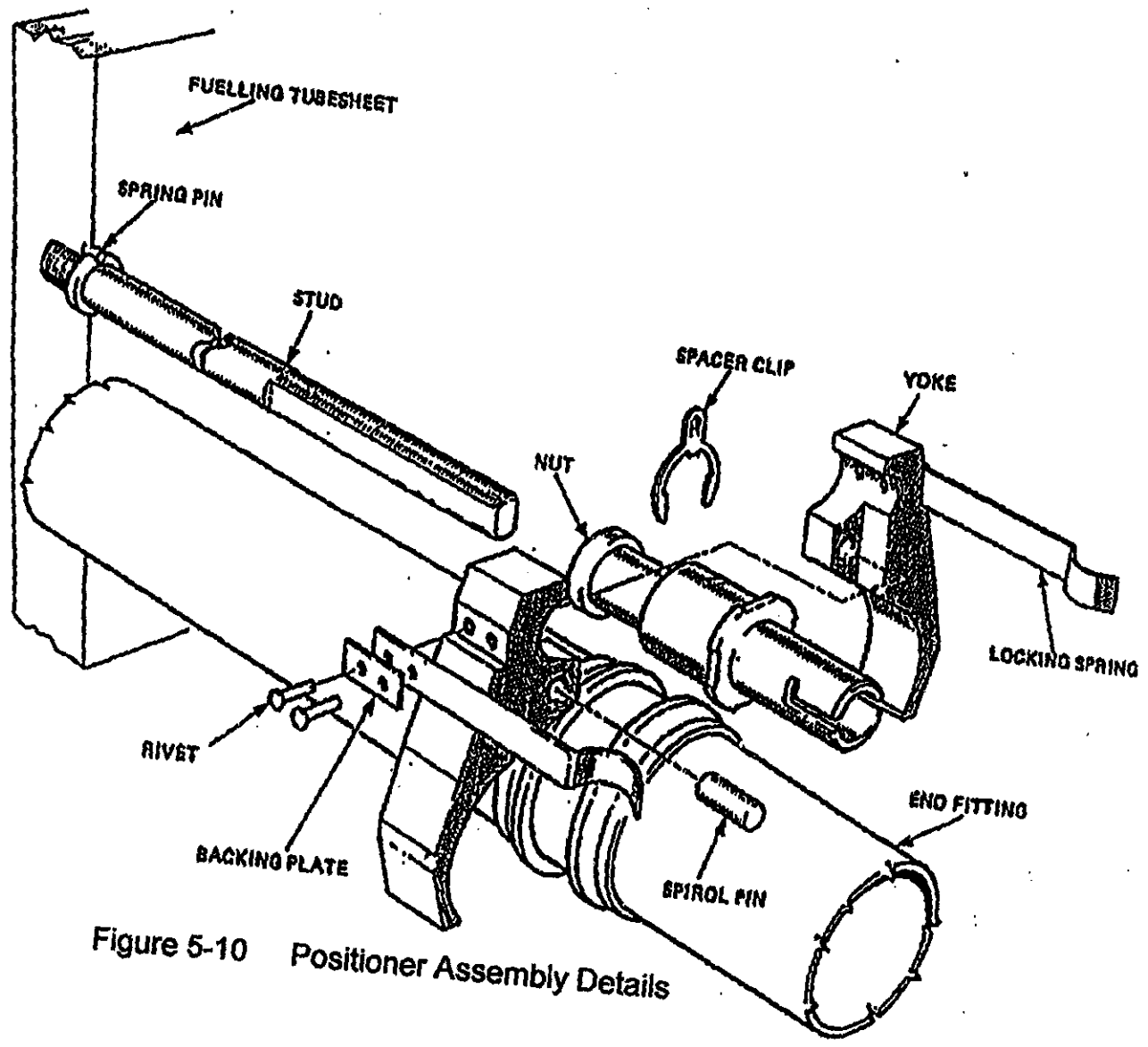


Figure 5-10 Positioner Assembly Details